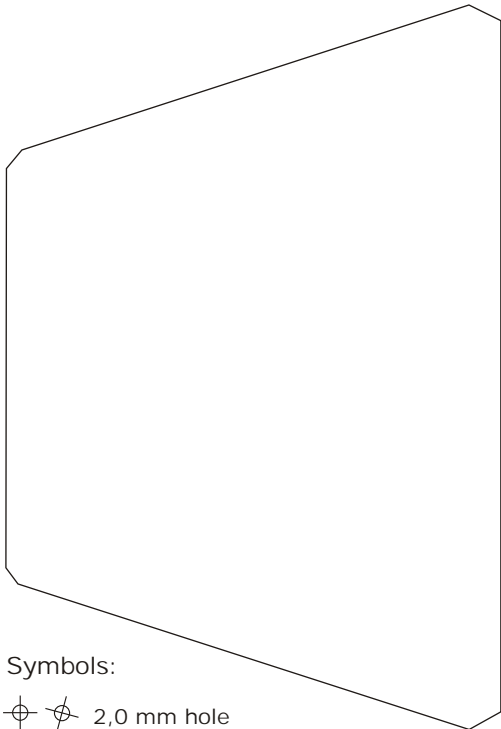








BIG PilleVippo^{MM}

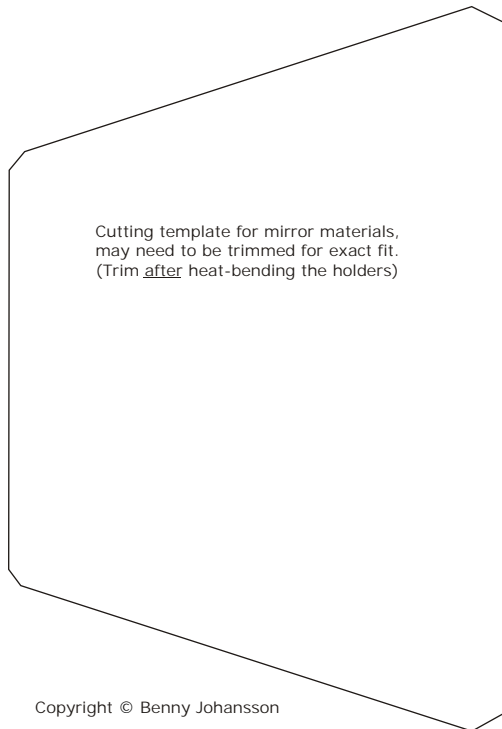
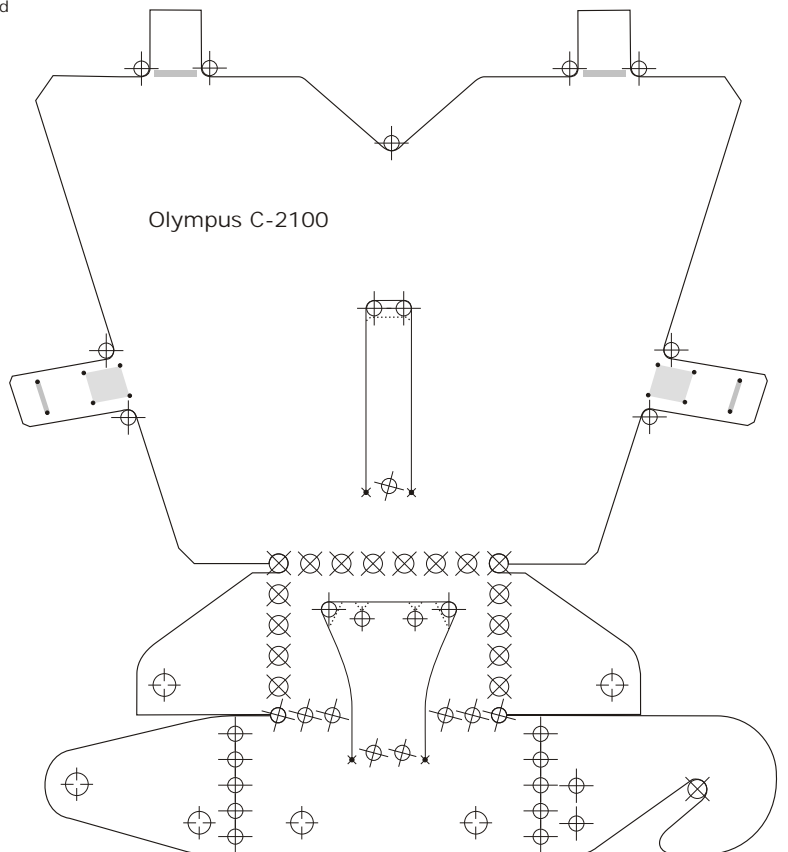
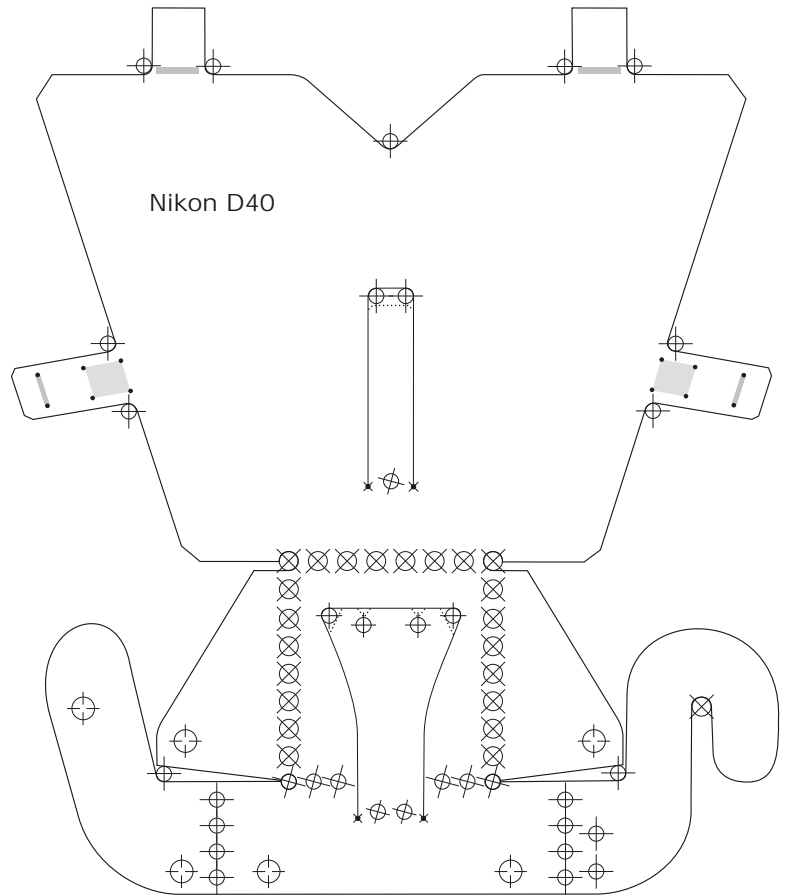
Cutting templates for Flash mirror/ bouncer

fits Nikon D40, Olympus C-2100 and ??, see instructions here: www.benvelo.com/pillevippo.htm



Symbols:

-  2,0 mm hole
-  2,5 mm hole
-  3,0 mm hole
-  deep needle mark, beginn the cut at these points
-  needle mark, shows corners/ends of the area to be heated
-  dotted lines, make these cuts after the "flap" is bent out



Cutting template for mirror materials,
may need to be trimmed for exact fit.
(Trim after heat-bending the holders)